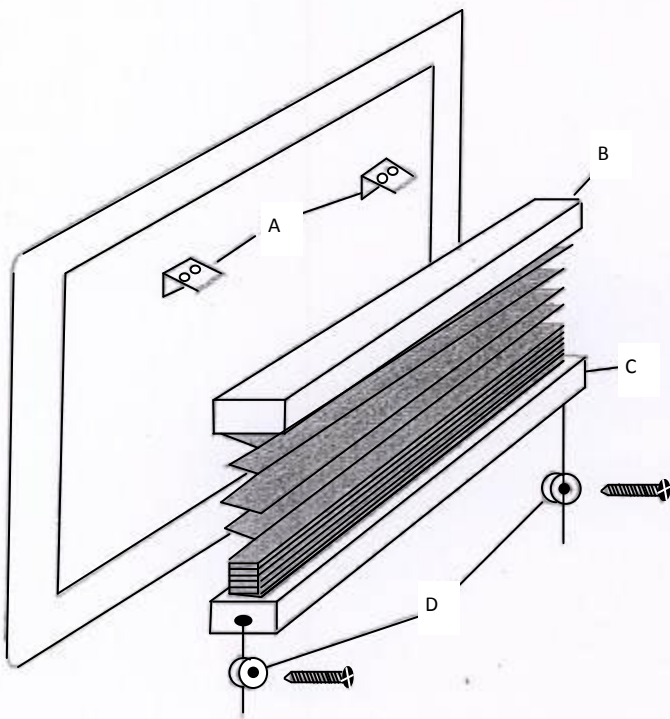


E-Z Lift Pleated Shade Installation for RV Wall Mount



1. Install mounting brackets (A) above top of window frame. Mount brackets approximately 3" in from corner of window frame.
2. **NOTE:** On shades 40" or wider use 3 mounting brackets, one in the center.
3. Install headrail (B) into mounting brackets by tilting front of headrail in an up position. Slide hook of mounting bracket into groove of headrail. Then push back of headrail up until it snaps into bracket.
4. Let shade hang down until end of cord with cord retainer (D) meets the bottom rail (C).

NOTE: The spacers that can be attached to the cord retainers are optional and are not required for mounting the cord retainers. Spacers allow for additional clearance if needed to clear window knobs or any additional objects that might interfere with proper operation of the shade.

Now mount the cord retainer directly below the bottom rail $\frac{1}{2}$ " down. This creates the constant tension needed to properly operate the shade. The tension should be tight.

Adjustments to tighten the tension require only a turn of the screw in the cord retainer. If you need to loosen the cord you will have to untie the knot and retie at the desired tension. Adjustments should be made on both sides to assure the shade will hang evenly.

CLEANING AND CARE

Shades should be kept in the closed or up position when not in use to maintain pleat retention and minimize dirt and soil buildup. Do not store shades in the down position. This may cause some loss of pleat retention if shades are not operated on a consistent basis.

NOTE: If your recreation vehicle must be stored for an extended period of time, store shades in the up position and cover your window with additional protection, for example, cut out cardboard.

Shades can be easily cared for by simply dusting or using a vacuum cleaner attachment. Do not use spot remover, household cleaners or detergents to remove soiled spots as these may cause damage to fabric or loss of color from fading.