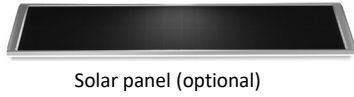
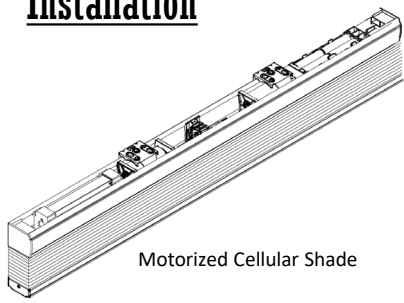


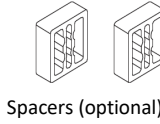
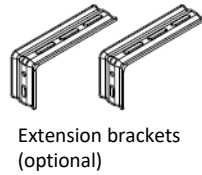
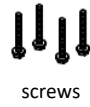
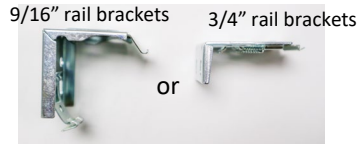
Rollease Automate Cellular Shade Installation Guide

Installation

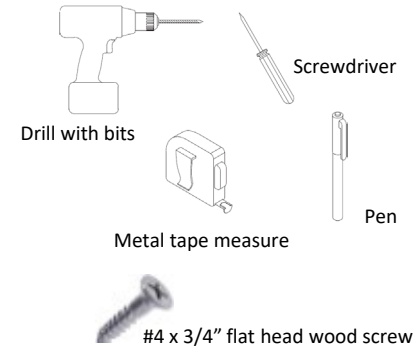


IDENTIFY YOUR CELLULAR SHADE AND PARTS

your parts may vary, depending on the custom request, size of the shade, and size of the headrail you are purchasing.



TOOLS AND PARTS YOU MAY NEED (not included)



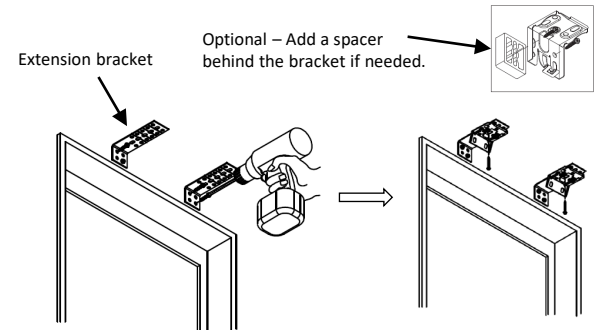
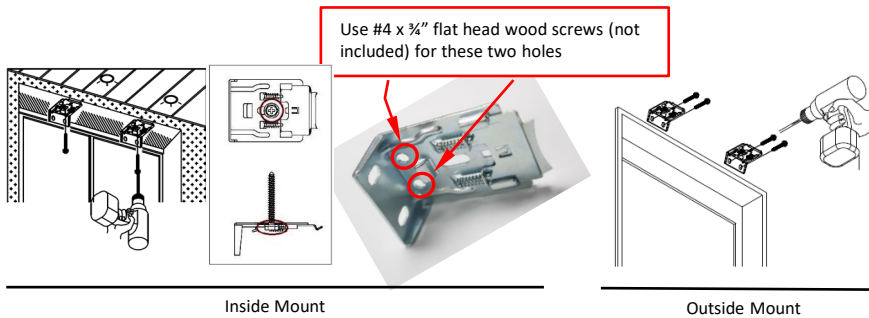
Shade width	Qty of brackets
$W \leq 36"$	2
$36" < W \leq 72"$	3
$72" < W \leq 96"$	4
$96" < W \leq 120"$	5

FOR 3/4" HEADRAIL BRACKETS

Install the brackets

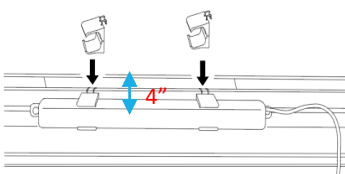
- Mark the bracket locations, separating the brackets evenly. Make sure all brackets are aligned and level with each other.
- For inside mount - Install the bracket with the hole at top center by using the included screw or with two holes at the top rear side by using #4 x 3/4" flat head wood screws (not included).
- For outside mount - install the bracket with two holes at the back side with included screws.

- Fasten the screws completely.
- Install the shade with the extension brackets (optional)
 - Install the extension bracket with at least 2 screws.
 - Attach the mounting brackets to the extension brackets with the screws.

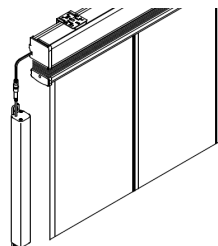


Install the rechargeable battery pack

- Follow the user guide for the Simple Touch rechargeable battery pack.
- The rechargeable battery pack can either be hooked onto the back side of the headrail or mounted to the wall or window frame.



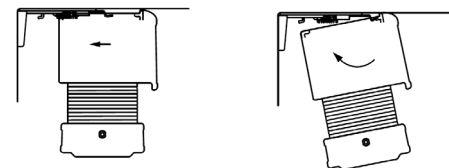
or



The minimum flush mounting space is 4" while using 3/4" headrail.

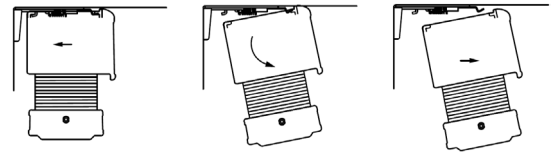
Attach the cell shade to brackets

- Position the headrail with the front lip resting on the top hooks of all the brackets.
- Push the bottom of headrail firmly upward and toward the window until the groove at the bottom of the headrail snaps into place.



How to remove the shade from the brackets

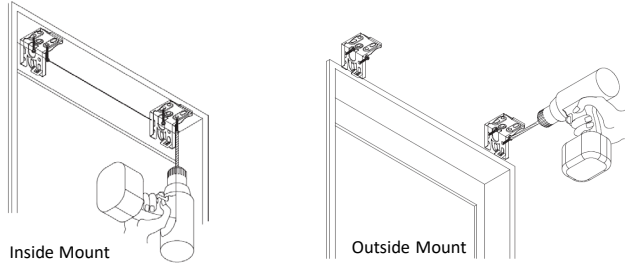
- Raise the shade completely. Push the headrail toward to the wall.
- Tilt the backside of the headrail down
- Once the back of the headrail clears the brackets, pull the headrail off the front of brackets.



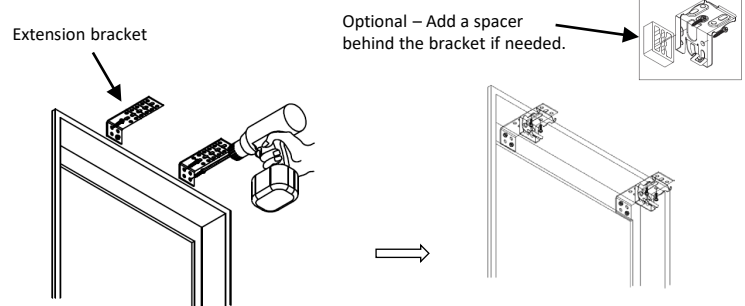
FOR 9/16" HEADRAIL BRACKETS

Install the brackets

- Mark the bracket locations. Space the brackets evenly and make sure the brackets will not interfere with any mechanism or other internal headrail parts.
- Install the brackets using screws (included) and tighten them completely.
- Make sure all brackets are aligned and level with each other.

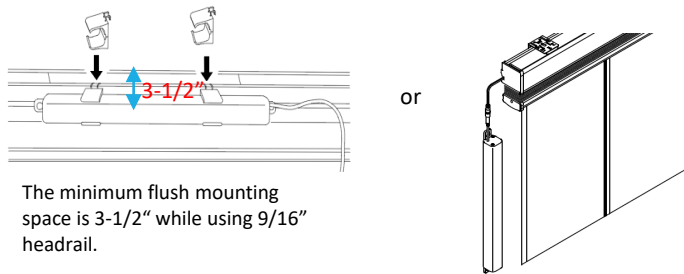


- Install the shade with extension brackets (optional)
 - Install the extension bracket with at least 2 screws.
 - Attach the hidden brackets to the extension brackets with the screws.



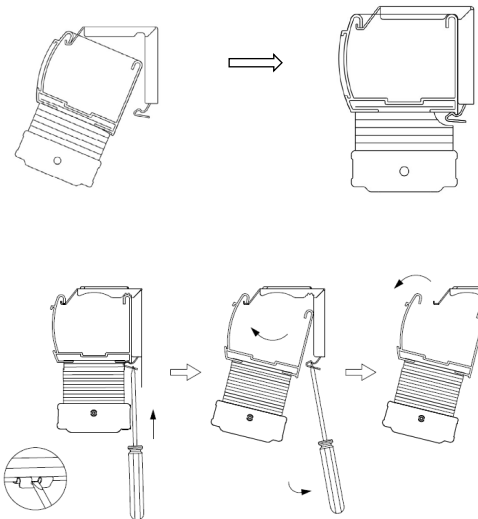
Install the rechargeable battery pack

- Follow the user guide for the Simple Touch rechargeable battery pack.
- The rechargeable battery pack can either be hooked onto the back side of the headrail or mounted to the wall or window frame.



Attach the cell shade

- Position the headrail with the front lip resting on the top hooks of all the brackets.
- Push the bottom of headrail firmly upward and toward the window until the groove at the bottom of the headrail snaps into place.



How to remove the shade from the brackets

- Use the remote to raise the shade completely.
- Use a flat screw to push the bracket tab toward to the wall. Once you hear a "click", then the shade will be released from the bracket.
- Repeat above step to release the shade from other brackets.

Care and Clean

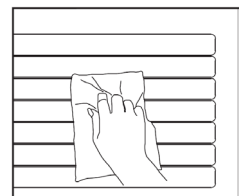
- Wipe the shade periodically with a soft dust cloth or dusting mitt, or vacuum with a lowest speed.

Notes

- Do not spill water to the headrail and the remote.
- Do not clean/ operate the motorized shade with wet hands
- The warranty for your shades does not cover damage caused by improper cleaning.
- Changing the batteries or charging the rechargeable battery pack won't change the programming setting.
- The motorized shade is for indoor use only.
- Do not use the motorized shades at the wet area.



ID# 2AWSE-STP054



No programming needed. We have programmed your shade. Just plug it in after installation and enjoy the benefits. It's that easy.